

## Schedule 11 — Wall Height

[clause 5.7.1]

In Figures 1 to 4 the level for the purpose of the definition of Wall Height at paragraph (b) in clause 5.7.1 is indicated by an X.

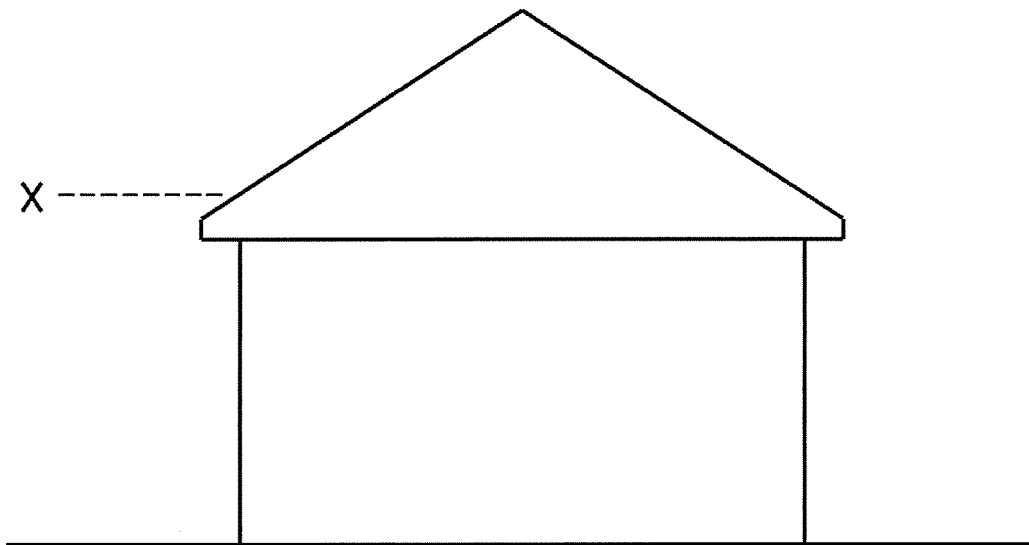


Figure 1 — Pitched Roof

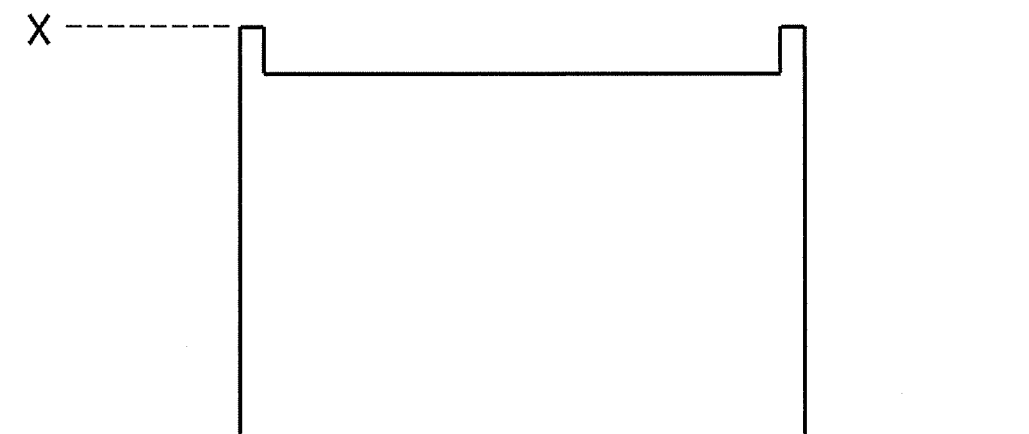
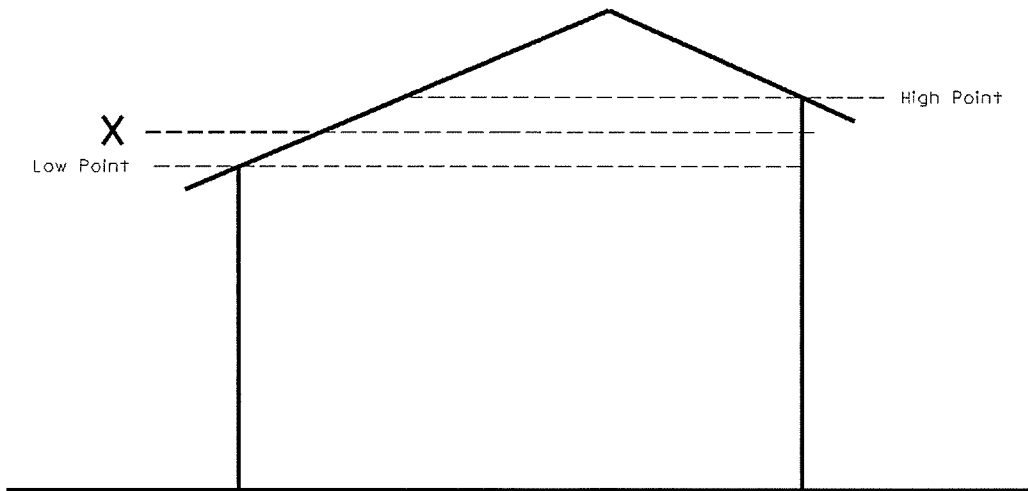
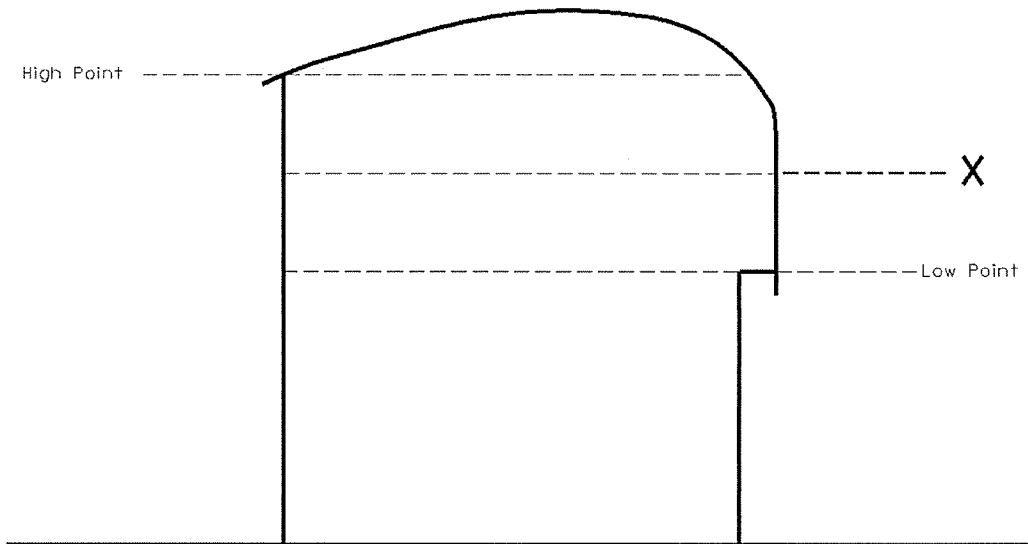


Figure 2 — Parapet Wall



**Figure 3 — Skillion or Hipped Roof**

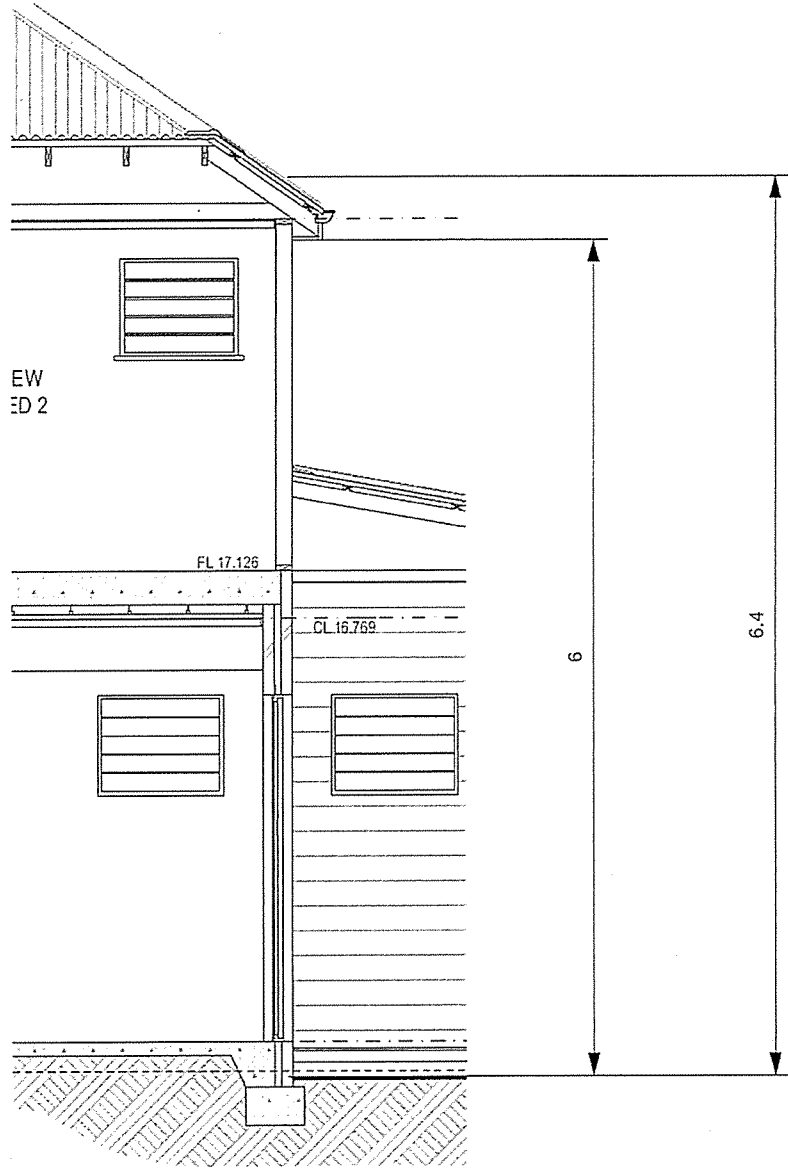


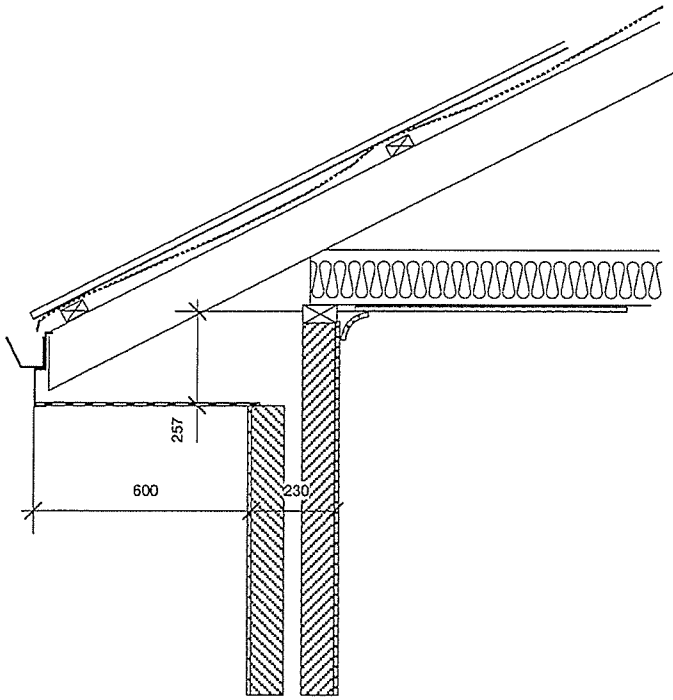
**Figure 4 — Curved Roof**

Where a skillion, hipped, curved or irregular shape roof occurs (Figures 3 and 4) the level shall be measured to the median height between the lowest and the highest points of the wall.

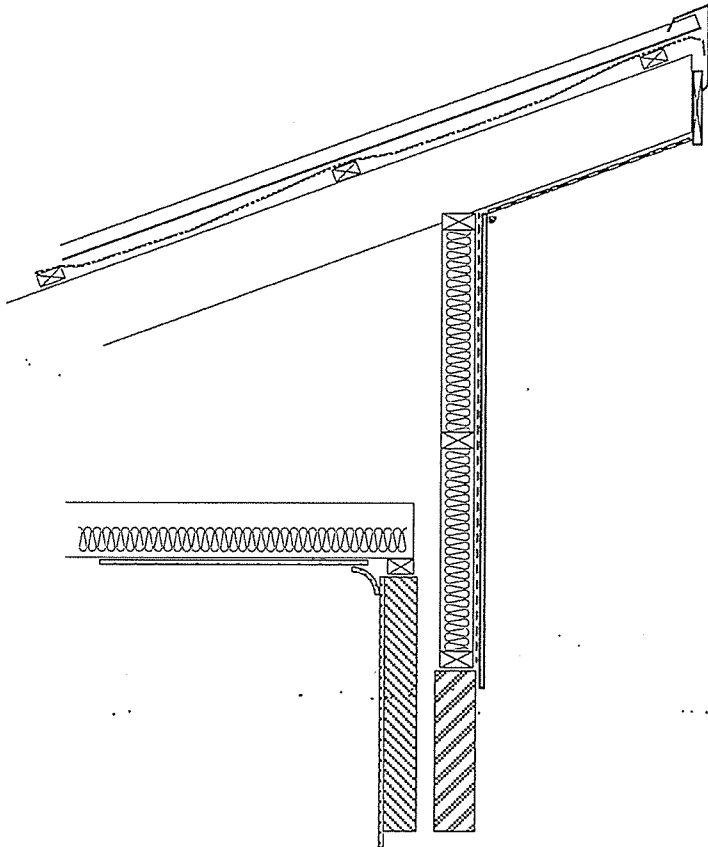
Wall height shall be measured to the plate height of the wall (i.e. top of the wall as constructed, upon which the roof structure sits), whether or not there are eaves and whether or not the eaves are open or enclosed.

# WALL HEIGHT





DETAIL C16/1  
TYPICAL EAVES



DETAIL C16/2  
SKILLION EAVES